



## Temp-Rite® II Excel® C700 Series Rethermalization Carts

Models: C716RV4, C720RV4 and C724RV4

Advanced Meal Systems from Aladdin Temp-Rite® are the most innovative and comprehensive cook-chill rethermalization systems in the industry.

Temp-Rite II Excel® sets the standard for cook-chill rethermalization. It combines state-of-the-art conduction technology with the aesthetic appeal of a traditional round plate presentation. Designed to provide maximum flexibility and simplicity of operation, Temp-Rite II Excel® optimizes food quality and traytop presentation.

Cook-chill technology enables facilities to prepare food in advance; food is then rapidly chilled. Meals are assembled cold on trays, and placed in rethermalization carts which are held in roll-in or centralized walk-in refrigerators.

During meal assembly, food items that are to be served hot are placed on flat-bottom plates that rest on top of heating elements. As the rethermalization process begins, the heating elements rethermalize hot-food items to the proper serving temperature. Insulated domes cover the plate to contain the heat and keep food hot, while ensuring that nearby cold foods remain perfectly chilled.

### Options:

- Fully retractable tow-hitch for 16- and 20-tray meal carts (Model: CTH-78)



Project \_\_\_\_\_ Item No. \_\_\_\_\_  
Model \_\_\_\_\_ Quantity \_\_\_\_\_



Model C720RV4 shown

### Standard features:

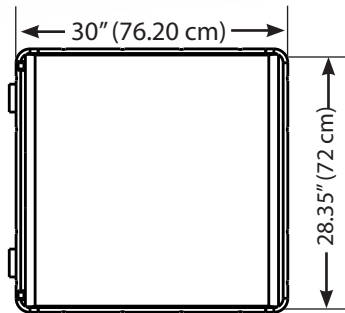
- 16-, 20- and 24-meal carts are available for central and decentralized applications
- Heavy-duty, welded, 14-gauge frame with stainless steel unibody construction
- High-density polymer tray supports and bumpers
- 8" (20.3 cm) heavy-duty, non-marking casters
- Solid polymer doors with 270° swing and magnetic catch
- Patented, face-mounted heating elements for easy replacement
- Designed for easy sanitation
- Ergonomic and easily maneuverable
- **Fits Aladdin Temp-Rite® models R71C and R72C roll-in rethermalization refrigerators**
- Also fits with C7 cart stalls for use in walk-in refrigerators.

Consult your Aladdin Temp-Rite® representative for help in determining the configuration that will best meet the needs of your operation and facility.

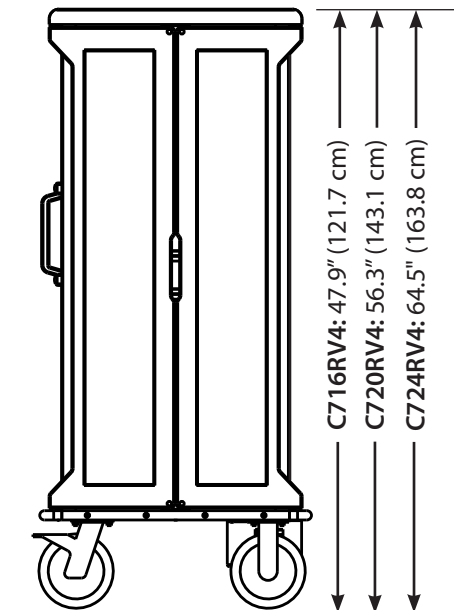
Note: Temp-Rite II Excel® is protected under U.S. Patent number 5,403,997. Specifications are subject to change without notice.



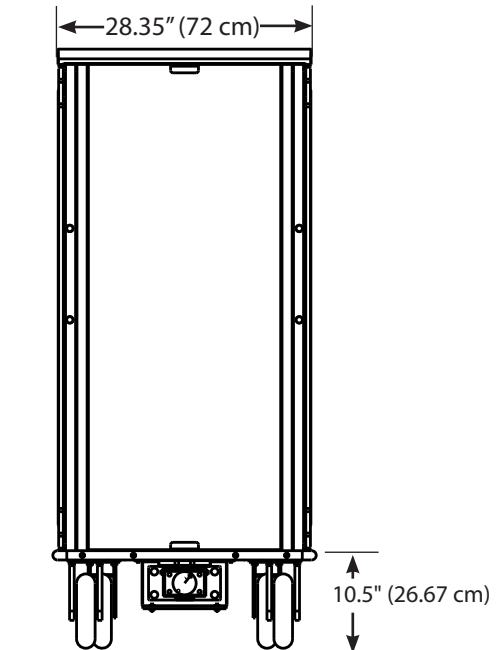
## Temp-Rite® II Excel C700 Series Rethermalization Carts Models: C716RV4, C720RV4 and C724RV4



Plan View



Front Elevation



Side Elevation

Technical Data	Model Number	C716RV4	C720RV4	C724RV4
	Tray Capacity	16 trays	20 trays	24 trays
	Length	30" (76.2 cm)	30" (76.2 cm)	30" (76.2 cm)
	Width	28.35" (72 cm)	28.35" (72 cm)	28.35" (72 cm)
	Height	47.9" (121.7 cm)	56.3" (143.1 cm)	64.5" (163.8 cm)
	Weight	244 lbs. (110.9 kg)	278 lbs. (126.4 kg)	320 lbs. (145 kg)
	Amperage*	10.8A	13.5A	17.2A
	Electrical	208-240V/120V, 4-Wire; Single Phase - 60Hz		
	*For system wiring, see refrigerator specs for max system amp loads. Cart is wired 240V through the plug to supply separately 120V each.			

## Temp-Rite® II Excel Tray Components

Item Description	Sales Code	Color	Dimensions	Case Quantity
Tray	S700	Ivory	1.15" H x 12.73" W	24/case
Tray	S700BK	Black	1.15" H x 12.73" W	24/case
Entrée Dome	T716BL	Black	2.75" H x 8.10" Diameter	12/case
Entrée Dome	T717HG	Harvest Green	2.75" H x 8.10" Diameter	12/case
Entrée Dome	T713A	Evening Blue	2.75" H x 8.10" Diameter	12/case
Entrée Dome	T714A	Teal	2.75" H x 8.10" Diameter	12/case
Entrée Dome	T715B	Burgundy	2.75" H x 8.10" Diameter	12/case
Entrée Dome <i>(for cold food only)</i>	T730	Clear	2.77" H x 8.0" Diameter	12/case
Soup Dome	T726BL	Black	2.75" H x 4.8" Diameter	24/case
Soup Dome	T727HG	Harvest Green	2.75" H x 4.8" Diameter	24/case
Soup Dome	T723A	Evening Blue	2.75" H x 4.8" Diameter	24/case
Soup Dome	T724A	Teal	2.75" H x 4.8" Diameter	24/case
Soup Dome	T725B	Burgundy	2.75" H x 4.8" Diameter	24/case

### China

Entrée Plate	J340B	Flora	7-3/4" Diameter	24/case
Entrée Plate	J341B	Ivory	7-3/4" Diameter	24/case
Dessert Plate	J601	Ivory	4-3/4" Diameter	36/case
Dessert Plate	J342	Flora	4-3/4" Diameter	36/case
Dessert Plate	J343	Embossed	4-3/4" Diameter	36/case
Bread Plate	J439	Ivory	4" Diameter	36/case
Bread Plate	J344	Flora	4" Diameter	36/case
Bread Plate	J345	Embossed	4" Diameter	36/case
4-oz. Fruit Bowl	J603	Ivory	4-3/4" Diameter	36/case
4-oz. Fruit Bowl	J346	Flora	4-3/4" Diameter	36/case
4-oz. Fruit Bowl	J347	Embossed	4-3/4" Diameter	36/case
6-oz. Fruit Bowl	J604	Ivory	5-7/8" Diameter	36/case
6-oz. Fruit Bowl	J348	Flora	5-7/8" Diameter	36/case
6-oz. Fruit Bowl	J349	Embossed	5-7/8" Diameter	36/case

### Reusable High-Heat Plastic

Divided Entrée Plate	J451	Ivory	7-3/4"	36/case
Non-divided Entrée Plate	J452	Ivory	7-3/4"	36/case
Soup Bowl	J450	Ivory	3"	100/case
Casserole Bowl	J455	Ivory	5"	100/case

### High-Heat Disposables

Entrée Plate	A43S	White	7-3/4"	500/case
Soup Bowl	B27S	White	3"	1000/case
Soup Bowl Lid	B87S	White	3"	1000/case <i>(fits B27S)</i>
Soup Bowl Lid	B97S	White	3"	1000/case <i>(fits J450)</i>
Casserole Bowl	B25	Ivory	5"	500/case
Casserole Lid	B95	Ivory	5"	500/case

### Designer Tray Covers

Tray Cover	J535	Wisteria		1000/case
Tray Cover	J536	Lily		1000/case
Tray Cover	J541	Black		1000/case
Tray Cover	TCE03	Woven Cloth		1000/case
Tray Cover	TCE04	Fall Leaves		1000/case
Tray Cover	TCE65	American Spirit		1000/case
Tray Cover	TCE86	Fun and Games		1000/case
Tray Cover	TCE96	Wild Flowers		1000/case

### Tray and dome features:

- Low-profile design
- Traditional round-plate presentation makes it feel more like home
- Handsome, reusable china dinnerware
- Optimal flexibility for food placement
- Individual, foam-insulated domes for heated entrée plate and soup bowl
- **Space "A"** can be used for heated or cold entrée, starch and vegetable
- **Space "B"** can be used for heated or cold soup, cereal or bread
- Clear dome is available for cold entrée plates



Clear dome shows off your cold entrées

